

This document must be retained for future reference.

It is the responsibility of the person installing the electrical equipment to ensure that the installation meets the requirements of the IET wiring regulations and is therefore 'fit for purpose'. Factors such as correct selection of components, cable sizing, protective devices and Earth bonding are all critical and should be checked prior to full testing and power-up. Any other regulations applicable to the equipment being installed such as the Machinery Directive and current health and safety legislation must also be adhered to.

All connections (including factory made) must be checked for the correct tightness prior to commissioning of the electrical installation. All connections should also be inspected periodically to ensure correct tightness.

**DO NOT USE POWER TOOLS ON THESE PRODUCTS**



## TC1-D | TP1-D | LC1-F Range

### Contactors Overload Relay

#### Environment

Conforming to standards			IEC 60947-1, IEC 60947-4-1, NFC 63-650, VDE 0660, BS 4941
Degree of protection			Protection against direct finger contact IP 2X
Protective treatment			'TH'
Ambient air temperature (around the device)	Storage	°C	-60 to +70
	Operation, without derating	°C	-25 to +60
	Max. & Min. operating temp.	°C	-40 to +70
Operating position	Without derating		Any Position, in relation to normal vertical mounting plane
Shock resistance	Permissible acceleration		15gn - 11ms, conforming to IEC 68-2-7
Vibration resistance	Permissible acceleration		6gn, conforming to IEC 68-2-6
Dielectric Strength at 50Hz	Conforming to IEC 255-5	KV	6
Impulse withstand voltage	Conforming to IEC 801-5	KV	6

#### Electrical Characteristics of Power Circuit

TYPE	TR2-	UNIT	D09301-12316	D18321	D25322-65361	D80363-95365
Tripping Class		A	10	10	10	10
Rated Insulation Voltage (Ui)	Conforming to IEC 60947-4-1	V	690	690	690	690
Rated operating voltage upto			600	600	600	600
Rated impulse withstand voltage (Uimp)			6	6	6	6
Frequency limits	Of the operational current	Hz	0... 400	0... 400	0... 400	0... 400
Setting range	Depending on model	A	0.1...13	12...38	17...104	63...140
Connecting to screw clamp terminal			Minimum / Maximum CSA			
Flexible cable without cable end	1 conductor	mm <sup>2</sup>	1.5 / 10	1.5 / 10	4 / 35	4 / 50
	1 conductor	mm <sup>2</sup>	1 / 4	1 / 6	4 / 35	4 / 50
Flexible cable with cable end			Except TR2 21:1/4			
Solid cable without cable end	1 conductor	mm <sup>2</sup>	1 / 6	1.5 / 10	4 / 35	4 / 50
Tightening torque		Nm	1.7	2.5	9	9
Connection to spring terminals						
Flexible cable without cable end		mm <sup>2</sup>	1.5 / 4	1.5 / 4	-	-
Solid cable without cable end		mm <sup>2</sup>	1.5 / 4	1.5 / 4	-	-

#### Operating Characteristics

Type	TR2-	UNIT	D09301-12316	D18321	D25322-65361	D80363-95365
Temperature Compensation		°C	-20...+60	-30...+60	-30...+60	-20...+60
Tripping Threshold	Conforming to IEC 6047-4-1	A	1.14 ± 0.06In			
Sensitivity to Phase Failure	Conforming to IEC 60947-4-1		Tripping current 25% above In			

## TC1-D | TP1-D | LC1-F Range Contactor Overload Relay

Auxiliary Contact Characteristics								
Conventional thermal current		A	5					
Maximum consumption of operating	AC Supply	V	24	48	110	220	380	600
Coil of controlled contactors (Occasional operating cycles of contact 95-96)		VA	100	200	400	600	600	600
		V	24	48	110	220	440	-
Short Circuit Protection	By gG or BS fuse Max. rating or by GB2 circuit breaker	W	100	100	50	45	25	-
		A	5					
Connection to screw clamp terminal			Minimum / Maximum CSA					
Flexible cable without cable end	1 or 2 conductors	mm <sup>2</sup>	1 / 2.5					
Flexible Cable with cable end	1 or 2 conductors	mm <sup>2</sup>	1 / 2.5					
Solid cable without cable end	1 or 2 conductors	mm <sup>2</sup>	1 / 2.5					
Tightening Torque	1 or 2 conductors	Nm	1.85					
Connecting to spring terminal			Minimum / Maximum CSA					
Flexible cable without cable end	1 or 2 conductors	mm <sup>2</sup>	1 / 2.5					
Solid cable without cable end	1 or 2 conductors	mm <sup>2</sup>	1 / 2.5					

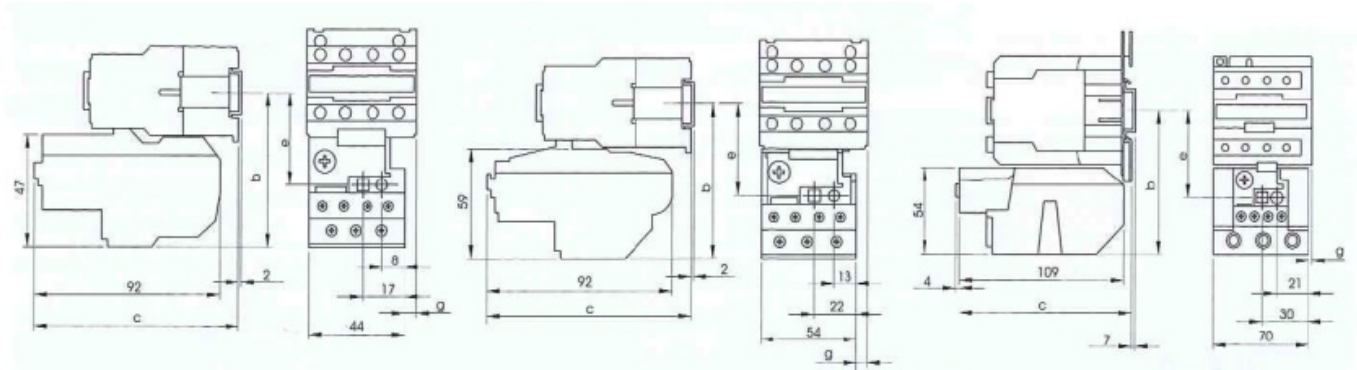
### T- Range Overload Relay (Class 10), Base Plate for Independent Mounting

RELAY REFERENCE	RELAY SETTING RANGE (A)	STANDARD POWER RATINGS OF 3-PHASE MOTORS 50/60Hz AC3 CATEGORY					BACK UP		BASE PLATE
		220V	380V	415V	440V	660V	FUSE RATING		
		KW	KW	KW	KW	KW	aM(A)	g1 (A)	
TR2-D09301	0.1 to 0.16	-	-	-	-	-	0.25	2	TA7-D0964
TR2-D09302	0.16 to 0.25	-	-	-	-	-	0.5	2	
TR2-D09303	0.25 to 0.4	-	-	-	-	-	1	2	
TR2-D09304	0.4 to 0.63	-	-	-	-	0.37	1	2	
TR2-D09305	0.63 to 1	-	-	-	-	0.55	2	4	
TR2-D09306	1 to 1.6	-	0.37	-	0.55	1.1	2	4	
TR2-D09307	1.6 to 2.5	0.37	0.75	1.1	1.1	1.5	4	6	
TR2-D09308	2.5 to 4	0.75	1.5	1.5	1.5	3	6	10	
TR2-D09310	4 to 6	1.1	2.2	2.2	2.2	4	8	16	
TR2-D09312	5.5 to 8	1.5	3	3.7	3.7	5.5	12	20	
TR2-D09314	7 to 10	2.2	4	4	4	7.5	12	20	
TR2-D12316	9 to 13	3	5.5	5.5	5.5	10	16	25	
TR2-D18321	12 to 18	4	7.5	9	9	15	20	35	
TR2-D25322	17 to 25	5.5	11	11	11	18.5	25	50	
TR2-D32353	23 to 32	7.5	15	15	15	-	40	63	
TR2-D32355	28 to 36	9	15	18.5	18.5	-	40	80	TA7-D4064
TR2-D40355	30 to 40	10	18.5	22	22	30	40	100	
TR2-D65357	37 to 50	11	22	25	25	37	63	100	
TR2-D65359	48 to 65	18.5	25	30	30	50	63	100	
TR2-D65361	55 to 70	20	30	37	37	55	80	125	
TR2-D80363	63 to 80	22	33	40	40	59	80	125	
TR2-D95365	80 to 93	25	45	49	50	80	100	160	

## TC1-D | TP1-D | LC1-F Range

Contactors Overload Relay

Overload Relays  
Dimensions, Tripping Curves



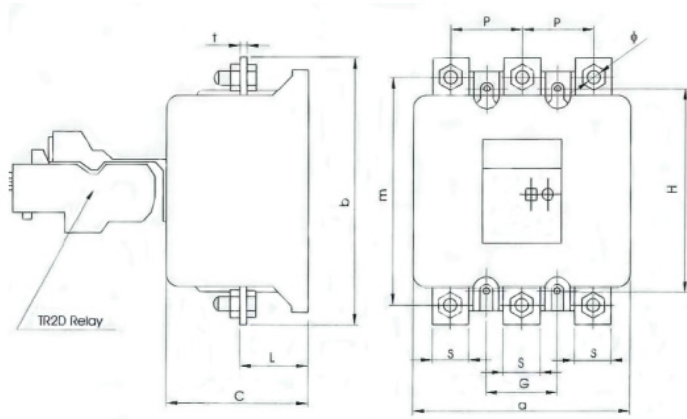
TR2-D09301 - D25322					TR2-D32353 - 32355					TR2-D40355 - D95365				
Mounting with	b	c	e	g	Mounting with	b	c	e	g	Mounting with	b	c	e	g
TC1-D09, D12, D18	81	98	50	0	TC1-D25	97.5	98	60	1.5	TC1-D40	111	119	72.4	4.5
TC1-D25	86	108	55	10.7	TC1-D32	97.5	98	60	0.5	TC1-D50	111	119	72.4	4.5
TC1-D32	86	109	55	8.1	TP1-D25	97.5	155	60	1.5	TC1-D65	111	119	72.4	4.5
TP1-D09, D12, D18	81	133	50	0	TP1-D32	97.5	155	60	0.5	TC1-D80	115.5	123.4	76.9	9.5
TP1-D25	86	152	55	10.7						TC1-D95	115.5	123.4	76.9	9.5
TP1-D32	86	153	55	8.1						TP1-D40	111	176	72.4	4.5
										TP1-D50	111	176	72.4	4.5
										TP1-D65	111	176	72.4	4.5
										TP1-D80	115.5	179.4	76.9	9.5

### F - Range Overload Relays (Independent Mounting)

RELAY REFERENCE	RELAY SETTING RANGE (A)	STANDARD POWER RATINGS OF 3-PHASE MOTORS 50/60Hz AC3 CATEGORY					Back Up	
		220V	380V	415V	440V	660V	Fuse Rating	
		KW	KW	KW	KW	KW	aM(A)	g1(A)
LR1-F105	65 to 105	25	51	55	59	90	0.25	160
LR1-F125	80 to 125	30	59	59	63	110	125	200
LR1-F160	100 to 160	45	80	80	90	140	160	250
LR1-F200	125 to 200	55	90	100	110	160	200	315
LR1-F250	160 to 250	63	110	129	140	200	250	400
LR1-F315	200 to 315	80	150	160	160	257	315	500
LR1-F400	250 to 400	110	185	200	220	335	400	630
LR1-F500	315 to 500	140	250	257	280	445	500	800
LR1-F630	400 to 630	180	315	355	375	500	630	800
LR1-F800	500 to 800	220	400	425	450	-	-	1000
LR1-F1000	630 to 1000	295	500	500	500	-	-	1250

Notes: 1. Protected shrouds for main poles or power poles to be ordered separately

## TC1-D | TP1-D | LC1-F Range Contactor Overload Relay



LR-F	A	B	C	G	H	L	M	P	S		T
105	126	160	81	40	110 120	56	140	40	20	∅	3
125	126	160	81	40	110 120	56	140	40	20	9	3
160	126	160	81	40	110 120	56	140	140	20	9	3
200	126	160	81	40	110 120	56	140	140	20	9	3
250	171	182	120	49	140	44.5	157	48	25	11	4
315	171	182	120	49	140	44.5	157	48	25	11	4
400	171	182	120	49	140	44.5	157	48	25	11	4
500	171	194	120	49	140	44.5	164	55	25	11	5
630	171	194	120	49	140	44.5	164	55	30	11	5

Part Number	Description
TA7-D0964	From TR2-D09 to TR2-D25
TA7-D3264	TR2-D32 Only
TA7-D4064	From TR2-D40 to TR2-D95

