

This document must be retained for future reference.

It is the responsibility of the person installing the electrical equipment to ensure that the installation meets the requirements of the IET wiring regulations and is therefore 'fit for purpose'. Factors such as correct selection of components, cable sizing, protective devices and Earth bonding are all critical and should be checked prior to full testing and power-up. Any other regulations applicable to the equipment being installed such as the Machinery Directive and current health and safety legislation must also be adhered to.

All connections (including factory made) must be checked for the correct tightness prior to commissioning of the electrical installation. All connections should also be inspected periodically to ensure correct tightness.

DO NOT USE POWER TOOLS ON THESE PRODUCTS

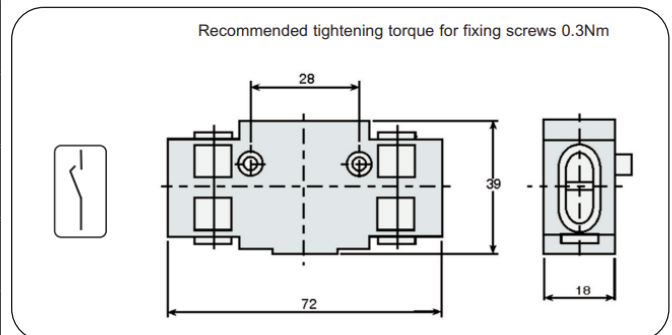


LB263AUXEMFM, LB263AUXEM, LB280AUXEM, LB125AUXEM Neutral Contact (Early make - Late break)

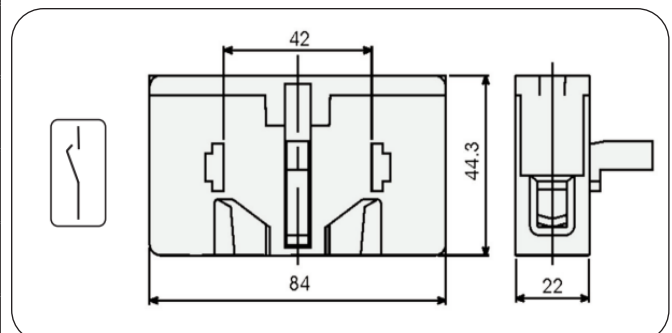
Load Break Enclosure / Switch Size	Potential Number of Additional Auxiliarys
3P Enclosed 32-80A	1 Auxiliary
4P Enclosed 20-40	-
4P Enclosed 63-80A	1 Auxiliary
4P Enclosed 100-125A	-
4P Large Enclosure 25-40A	1 Auxiliary
3P Metal Clad 25-80A	1 Auxiliary
4P Metal Clad 25-125A	1 Auxiliary
4P Diecast 25-63A	1 Auxiliary
4P Stainless Steel 25-40A	-
4P Stainless Steel 63-80A	1 Auxiliary
6P Enclosed 25-40A	2 Auxiliarys (1 either side)
6P Enclosed 63-125A	2 Auxiliarys (1 either side)
8P Enclosed 25-40A	-
8P Enclosed 63-125A	-
4P Enclosed Change Over 25-40A	-
4P Metal Clad Change Over 32-63A	-
4P Metal Enc Change Over 63-125A	-



LB263AUXEMFM, LB263AUXEM 25-63A



LB263AUXEMFM, LB263AUXEM 25-63A



Neutral Contact / Early make late break contact

Can be fitted either side of the switch.

For switch ratings and recommended torque for terminals please see the corresponding switch data sheet.

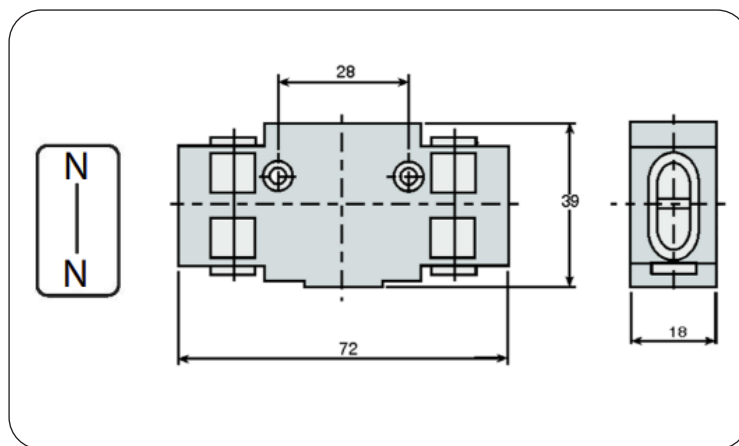
LB263AUXL & LB2125AUXL Neutral Link

Auxiliary / Switch Look up Table

Load Break Enclosure / Switch Size	Potential Number of Additional Auxiliaries
3P Enclosed 32-80A	1 Auxiliary
4P Enclosed 20-40A	-
4P Enclosed 63-80A	1 Auxiliary
4P Enclosed 100-125A	-
4P Large Enclosure 25-40A	1 Auxiliary
3P Metal Clad 25-80A	1 Auxiliary
4P Metal Clad 25-125A	1 Auxiliary
4P Diecast 25-63A	1 Auxiliary
4P Stainless Steel 25-40A	-
4P Stainless Steel 63-80A	1 Auxiliary
6P Enclosed 25-40A	2 Auxiliaries (1 either side)
6P Enclosed 63-125A	2 Auxiliaries (1 either side)
8P Enclosed 25-40A	-
8P Enclosed 63-125A	-
4P Enclosed Change Over 25-40A	-
4P Metal Clad Change Over 32-63A	-
4P Metal Enc Change Over 63-125A	-

Can be fitted either side of the switch
For switch ratings and recommended torque for terminals please see the corresponding switch data sheet

LB263AUXL 25-63A



LB2125AUXL 80-125A

