

This document must be retained for future reference.

It is the responsibility of the person installing the electrical equipment to ensure that the installation meets the requirements of the IET wiring regulations and is therefore 'fit for purpose'. Factors such as correct selection of components, cable sizing, protective devices and Earth bonding are all critical and should be checked prior to full testing and power-up. Any other regulations applicable to the equipment being installed such as the Machinery Directive and current health and safety legislation must also be adhered to.

All connections (including factory made) must be checked for the correct tightness prior to commissioning of the electrical installation. All connections should also be inspected periodically to ensure correct tightness.

DO NOT USE POWER TOOLS ON THESE PRODUCTS



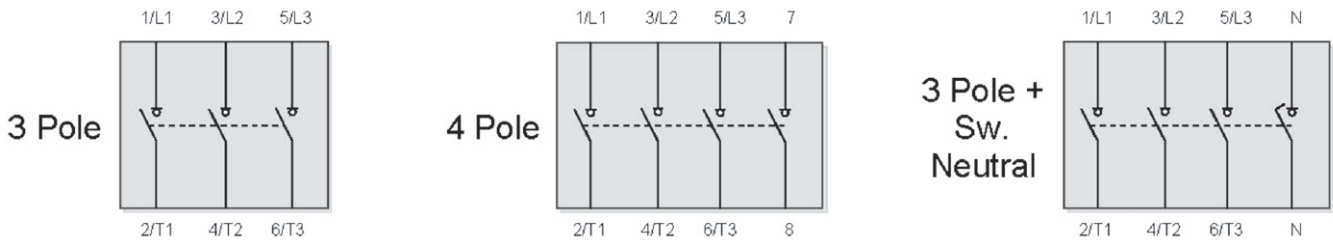
LB20, 25, 32, 403PSN / LB32, 403P / LB20, 25, 32, 404P AC-21

Enclosed Switch Disconnectors IP65 Rated IEC / EN 60947-1 and 3

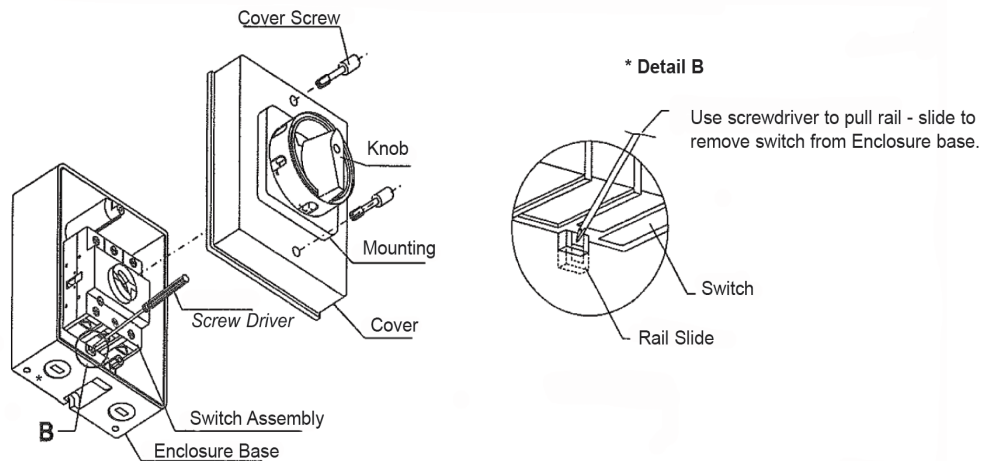
Data		Range	Units	LB204P LB203PSN	LB254P LB253PSN	LB323P LB324P LB323PSN	LB403P LB404P LB403PSN
Rated Operational Voltage Ue							
IEC & EN		Volts	V	690	690	690	690
UL		Volts	V	600	600	600	600
Main Switch: Isolating Voltage up to		Volts	V	750	750	750	750
Rated Impulse Withstand Voltage Uimp		Volts	kV	6	6	6	6
Rated Uninterrupted Current Iu		Amps	A	16	20	25	32
Rated Operational Current Ie							
IEC & EN	AC-22A	Up to 690V	A	16	20	25	32
	AC-21A	Up to 690V	A	20	25	32	40
	AC-1	Up to 690V	A	20	25	32	40
Rated Operational Power AC-23A (50-60Hz)							
IEC & EN	3 Phase	220-240V	kW	7.5	7.5	11	15
		280-440V	kW	11	11	15	18.5
		500-690V	kW	15	15	22	22
Rated Operational Power AC-3A (50-60Hz)							
IEC & EN	3 Phase	220-240V	kW	4	5.5	7.5	11
		440V	kW	5.5	7.5	11	11
		690V	kW	11	11	15	15
UL Power Rating							
DOL	3 Phase	120V	hp	1.5	1.5	3	3
		240V	hp	3	3	7.5	7.5
		480V	hp	7.5	7.5	15	20
		600V	hp	10	10	20	25
	1 Phase	120V	hp	0.5	0.5	1.5	2
		240V	hp	1.5	1.5	2	3
UL Short Circuit Ratings							
Fuse rating, class J		Amps	A	-	-	45	45
Fuse rating, class RK5		Amps	A	20	20	-	-
Rated Fused short circuit current		Amps	kA	10	10	10	10
Short Circuit Capacity (IEC)							
Max Fuse Size (Type gL)		Amps	A	20	20	32	32
Rated Fused Short Circuit Current		Amps	kA	5	5	30	30
Terminal Specification							
Single/ Multiple Strand Wire			Min-mm ²	2.5	2.5	2.5	2.5
			Max-mm ²	10	10	10	10
Fine Strand with Sleeve			Min-mm ²	0.75	0.75	0.75	0.75
			Max-mm ²	6	6	6	6
American Wire Gauge			AWG	10	10	10	10
Recommended Tightening Torque			Nm	1.7	1.7	1.7	1.7

LB20, 25, 32, 403PSN / LB32, 403P / LB20, 25, 32, 404P AC-21 Enclosed Switch Disconnectors

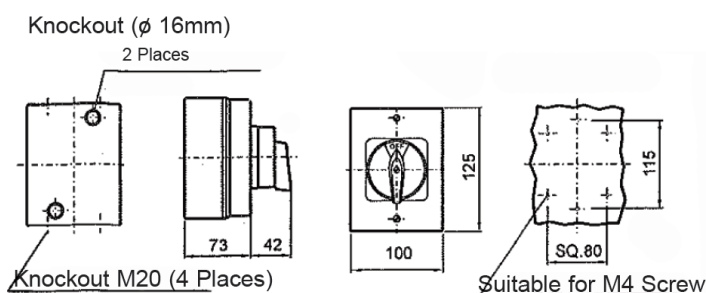
Terminal Configuration



Note: Neutral contact is Early make/ Late break



Mounting Details



Procedure to dismantle the cover:

- Ensure the switch is in the OFF position
- Unscrew the cover screws & remove the cover
- For easy wiring, the switch can be removed from the base & then clicked back into place once wiring is complete
- After wiring ensure the profile orientation of the actuating spindle & knob shaft are in the same position
- Replace the cover & take care not to overtighten the screws (recommended tightening torque 0.5Nm)
- Do not install using power driven screwdrivers

Please Note : There is no need to remove the switch handle in order to remove the cover