

This document must be retained for future reference.

It is the responsibility of the person installing the electrical equipment to ensure that the installation meets the requirements of the IET wiring regulations and is therefore 'fit for purpose'. Factors such as correct selection of components, cable sizing, protective devices and Earth bonding are all critical and should be checked prior to full testing and power-up. Any other regulations applicable to the equipment being installed such as the Machinery Directive and current health and safety legislation must also be adhered to.

All connections (including factory made) must be checked for the correct tightness prior to commissioning of the electrical installation. All connections should also be inspected periodically to ensure correct tightness.

DO NOT USE POWER TOOLS ON THESE PRODUCTS



MODULAR CONTACTORS

EUC1 | EUC2 | EUC3 | EUC6

20-125A Modular contactors

Description

- Ideal for consumer unit applications
- Available in 2 pole and 4 pole versions
- Normally open and normally closed options available
- DIN rail mounted fitting
- Quiet operation
- The contactor has a working temp range of -5°C to +55°C as they all have the same temperature range.



Important:

When installed MCB module blanks must be placed on either side of each modular contactor to ensure heat dissipation

Part Number	Description	No. of Modules (Width in mm)	Rated Terminal Capacity Supply (mm ²)	Rated Terminal Capacity Coil (mm ²)
2 Pole Modular Contactor				
EUC1-20-2P	2N/O 20A 230V AC	1 (18mm)	1.5 - 10 mm ²	0.75-2.5mm ²
EUC1-20-2NC	2N/C 20A 230V AC			
EUC1-25-2P	2N/O 25A 230V AC			
EUC1-25-2NCP	2N/C 25A 230V AC			
EUC1-20-2NOB	2N/O 20A 24V AC			
EUC1-20-2NCB	2N/C 20A 24V AC			
EUC1-20-NONCP	1N/O+1N/C 20A 230V AC			
EUC2-63-2P	2N/O 63A 230V AC	2 (36mm)	2.5-25mm ²	
EUC2-63-2NCP	2N/C 63A 230V AC			
EUC3-125-2P	2N/O 125A 230V AC	3 (54mm)	50mm ²	
EUC3-125-2NCP	2N/C 125A 230V AC			
4 Pole Modular Contactor				
EUC2-25-4P	4N/O 25A 230V AC	2 (36mm)	1.5- 10mm ²	
EUC2-25-4NCP	4N/C 25A 230V AC			
EUC2-25-4NOB	4N/O 25A 24V AC			
EUC2-25-4NCB	4N/C 25A 24V AC			
EUC2-25-2NO2NCP	2N/O+2N/C 25A 230V AC			
EUC3-40-4P	4N/O 40A 230V AC	3 (72mm)	2.5-25mm ²	0.75-2.5mm ²
EUC3-40-4NCP	4N/C 40A 230V AC			
EUC3-40-4NOB	4N/O 40A 24V AC			
EUC3-40-4NCB	4N/C 40A 24V AC			
EUC3-63-4P	4N/O 63A 230V AC			
EUC3-63-4NCP	4N/C 63A 230V AC			
EUC3-63-4NOB	4N/O 63A 24V AC			
EUC3-63-4NCB	4N/C 63A 24V AC	6 (108mm)	50mm ²	
EUC6-125-4P	4N/O 125A 230V AC			
EUC6-125-4NCP	4N/C 125A 230V AC			

2 Pole Modular Contactors (Single Phase Loads)

Range	Rated Operational Voltage (Ue)	Rated Operation Current AC1 (Ie)	Rated Operation Current AC3 (Ie)	Rated Power AC-1 (kW)	Rated Power AC-3 (kW)
EUC1-20-2*	230/240V AC	20A	9A	4kW	1.2kW
EUC1-25-2*	230/240V AC	25A	9A	5kW	1.5kW
EUC2-63-2*	230/240V AC	63A	32A	11.6kW	3.3kW
EUC3-125-2*	230/240V AC	125A	-	20kW	-

4 Pole Modular Contactors (3 Phase Loads)

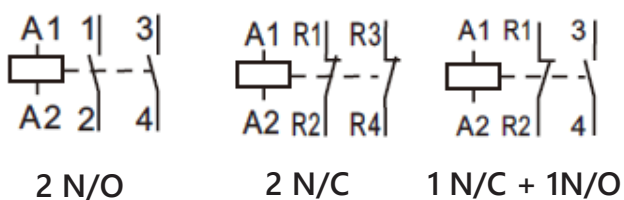
Range	Rated Operational Voltage (Ue)	Rated Operation Current AC1 (Ie)	Rated Operation Current AC3 (Ie)	Rated Power AC-1 (kW)	Rated Power AC-3 (kW)
EUC2-25-4*	400/415V AC	25A	9A	16kW	4kW
EUC3-40-4*	400/415V AC	40A	25A	27.5kW	12.5kW
EUC3-63-4*	400/415V AC	63A	32A	40kW	15kW
EUC6-125-4*	400/415V AC	125A	-	70kW	-

4 Pole Modular Contactors (Single Phase Loads)

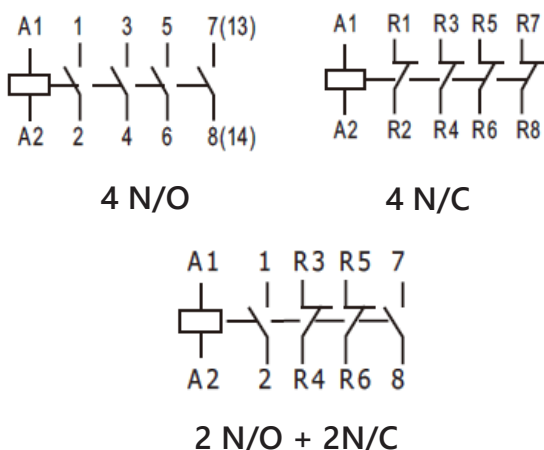
Range	Rated Operational Voltage (Ue)	Rated Operation Current AC1 (Ie)	Rated Operation Current AC3 (Ie)	Rated Power AC-1 (kW)	Rated Power AC-3 (kW)
EUC2-25-4*	230/240V AC	25A	9A	5kW	1.5kW
EUC3-40-4*	230/240V AC	40A	9A	9kW	3kW
EUC3-63-4*	230/240V AC	63A	32A	11.6 kW	3.3kW
EUC6-125-4*	230/240V AC	125A	-	20kW	-

Wiring Diagrams

Two-Pole Modular Contactors



Four-Pole Modular Contactors



Note: All Dimensions in mm

